



# RENCO INC.

Ergonomically Designed  
Pneumatic and Electric  
Two-Hand No-Tie-Down Controls

## Electric Models

REN44

REN45

REN46

CLAMP CIRCUIT

Options

## Pneumatic Models

REN23

REN28

REN300

CLAMP CIRCUIT

Options

What are Two-Hand No-Tie-Down Controls?

[Print a Pneumatic Model Catalog](#)

[Print an Electric Model Catalog](#)

*MADE IN THE USA.*

*LIGHT OR NO ACTUATION PRESSURE.*

*NO SHARP CORNERS, ALL EDGES ARE ROUNDED.*

*LARGE PUSH BUTTONS, 1 3/8" DIAMETER (RECESSED).*

*COMPACT, LOW PROFILE DESIGN DOES NOT OBSTRUCT  
OPERATORS ACCESS TO THE WORK SPACE.*

**RENCO, INC.**

6719 ALCOA ROAD, BENTON, ARKANSAS 72015

USA

501/565-0404

FAX 501/565-4796

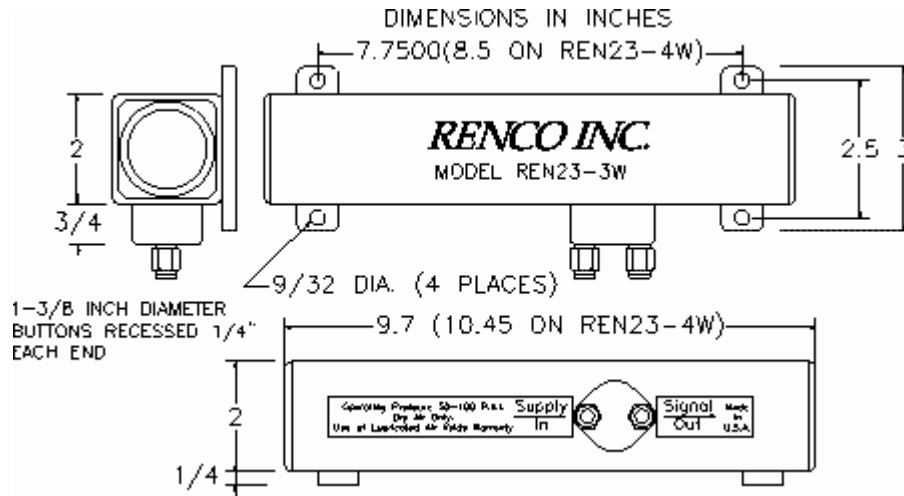
Page 1

WORKING PRESSURE  
RANGE 60-100 PSI,  
40 MICRON FILTERED  
DRY NONLUBRICATED

# SERIES REN23

COMPLETE TWO-HAND NO-TIE-DOWN  
CONTROL WITH BUTTONS ON ENDS.

GIVES A MAINTAINED OUTPUT SIGNAL WHEN BOTH BUTTONS ARE  
PRESSED WITHIN .3 SECONDS AND HELD.



- ▶ COMPACT DESIGN WITH 1-3/8" DIAMETER PUSH BUTTONS (RECESSED 1/4") .
- ▶ LIGHT ACTUATION PRESSURE (5 OUNCES).
- ▶ 1/4" PUSH LOCK FITTINGS INCLUDED, 5/32" (4MM) OPTIONAL.
- ▶ ROUNDED EDGES, NO SHARP EDGES OR CORNERS TO INJURE OPERATOR.
- ▶ QUICK AND SIMPLE INSTALLATION, BOLT THE CONTROL DOWN AND PLUG YOUR TUBING INTO THE 1/4" PUSH LOCK FITTINGS.

### THREE MODELS AVAILABLE

### PRICE

- REN23-3W INTERNAL 3-WAY VALVE.
- REN23-4W INTERNAL 4-WAY VALVE WITH 1.1 CV FACTOR.
- REN23-4WL REN23-4W WITH SEPARATE CONNECTION FOR LOGIC MODULE. VERY HEAVY LUBRICATION MAY BE INSERTED IN MAIN SUPPLY.

#### ADD TO PART #

#### OPTIONS AVAILABLE ON THE REN23-3W.

#### ADD TO LIST PRICE

- C CANCELABLE OUTPUT. AN INPUT FROM A PRESSURE OR LIMIT VALVE WILL CANCEL THE OUTPUT.
- P .4 SECOND PULSED OUTPUT. PALM BUTTONS MUST BE HELD DOWN FULL TIME.
- BPL BOTTOM CONNECTIONS. CONNECTIONS ON BOTTOM OF MANIFOLD.
- EPB EXTRA PUSH BUTTON, A CENTER MOUNTED N/C 3-WAY VALVE WITH BUTTON (GUARDED ON TOP. SEPARATE OUTPUT MARKED EPB.
- SWV SWITCH VALVE A CENTER MOUNTED TOGGLE DIVERTER VALVE THAT DIVERTS THE 2-HAND OUTPUT BETWEEN 2 OUTPUT PORTS.

#### ADD TO PART #

#### OPTIONS AVAILABLE ON ALL REN23 SERIES.

#### ADD TO LIST PRICE

- 532 5/32 (4MM) PUSH LOCK FITTINGS. (1/4" STANDARD).
- G BUTTON GUARDS. GUARDS THAT SURROUND THE BUTTONS AND EXTEND 1/2"- (THE STANDARD EXTENSION IS 1/4").

#### WARNING:

All Renco controls are designed to operate pneumatic valves and cylinders. They are not to be used with flywheel presses, brake presses or similar devices. It is the buyers responsibility to determine the use and mounting location of this device. This equipment performs the function of a two hand no tie down control only. All other prescribed safety devices must be used with this equipment. It is the buyers responsibility to determine the proper application, location and use of this equipment.

### RENCO, INC.

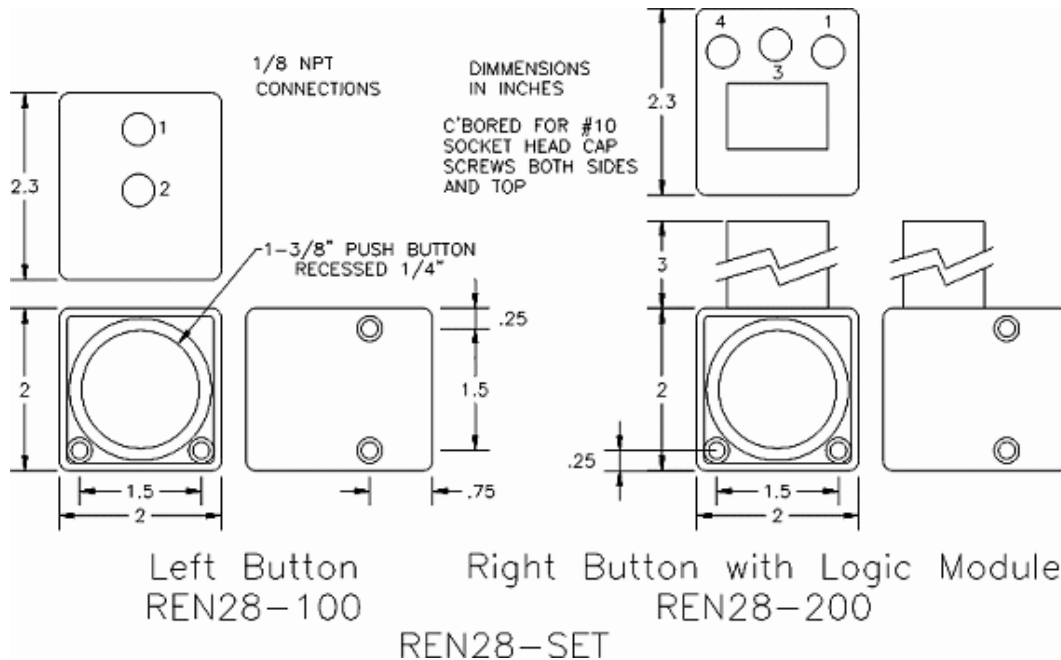
6719 ALCOA ROAD, BENTON, ARKANSAS 72015 USA 501/565-0404 FAX 501/565-4796

WORKING PRESSURE  
RANGE 60-100 PSI,  
40 MICRON FILTERED  
DRY NONLUBRICATED

# REN28-SET

SET OF 2 PALM BUTTONS WITH LOGIC  
TWO-HAND NO-TIE-DOWN CONTROL.

ONE PALM BUTTON GIVES A MAINTAINED OUTPUT SIGNAL WHEN  
BOTH PALM BUTTONS ARE PRESSED WITHIN .3 SECONDS AND HELD.



- ▶ COMPACT DESIGN WITH 1-3/8" DIAMETER PUSH BUTTONS (RECESSED 1/4").
- ▶ MOUNTS VERTICALLY OR HORIZONTALLY, NO MOUNTING BRACKET REQUIRED.
- ▶ LIGHT ACTUATION PRESSURE (5 OUNCES).
- ▶ MOUNTING SCREWS INCLUDED (10-32).
- ▶ 1/8" NPT CONNECTIONS. 5/32 (4MM) PUSH LOCK FITTINGS OPTIONAL.
- ▶ COMPACT DESIGN WITH 1-3/8" PUSH BUTTONS (RECESSED).
- ▶ ROUNDED EDGES, NO SHARP EDGES OR CORNERS TO INJURE OPERATOR.

THE REN28-SET IS TWO SEPARATE PALM BUTTONS THAT USE OUR LIGHT TOUCH BUTTONS, ATTACHED TO ONE PALM BUTTON IS OUR LOGIC MODULE. THEY ARE EASY TO INSTALL, MOUNT SECURELY THEN CONNECT A SUPPLY LINE TO EACH PALM BUTTON THEN CONNECT THE PALM BUTTONS WITH ONE AIR LINE. ONE PALM BUTTON GIVES A MAINTAINED OUTPUT SIGNAL WHEN BOTH PALM BUTTONS ARE PRESSED WITHIN .3 SECONDS AND HELD.

THE PART # IS REN28-SET FOR BOTH PALM BUTTONS. THE PART # FOR THE ONE PALM BUTTON WITHOUT THE LOGIC MODULE, WHICH MAY BE USED AS A 3-WAY PNEUMATIC

## REN28-SET

ADD TO  
PART #

OPTIONS AVAILABLE ON THE  
REN28-SET.

ADD TO  
LIST PRICE

- C CANCELABLE OUTPUT. AN INPUT FROM A PRESSURE OR LIMIT VALVE WILL CANCEL THE OUTPUT.
- P .4 SECOND PULSED OUTPUT. PALM BUTTONS MUST BE HELD DOWN FULL TIME.
- PA .1-30 SECOND PULSED OUTPUT. PALM BUTTONS MUST BE HELD THE FULL TIME.
- 14 1/4" PUSH LOCK FITTINGS.
- 532 5/32 (4MM) PUSH LOCK FITTINGS.
- G BUTTON GUARDS. GUARDS THAT SURROUND THE BUTTONS AND EXTEND 1/2".

**RENCO, INC.**

6719 ALCOA ROAD, BENTON, ARKANSAS 72015 USA 501/565-0404 FAX 501/565-4796

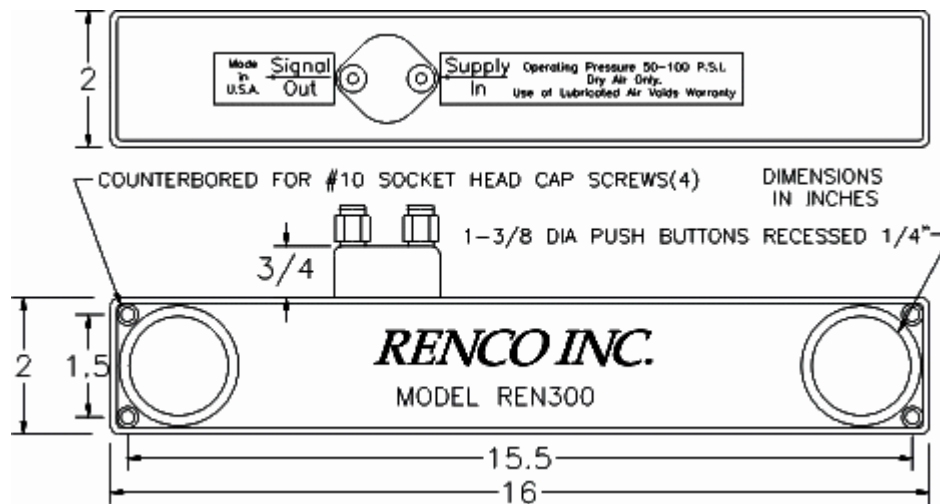
Page 3

WORKING PRESSURE  
RANGE 60-100 PSI,  
40 MICRON FILTERED  
DRY NONLUBRICATED  
AIR

# REN300

COMPLETE TWO-HAND NO-TIE-DOWN  
CONTROL WITH BUTTONS ON TOP.

GIVES A MAINTAINED OUTPUT SIGNAL WHEN BOTH BUTTONS ARE  
PRESSED WITHIN .3 SECONDS AND HELD..



- ▶ COMPACT DESIGN WITH 1-3/8" DIAMETER PUSH BUTTONS (RECESSED 1/4") ON TOP.
- ▶ LIGHT ACTUATION PRESSURE (5 OUNCES).
- ▶ MOUNTING SCREWS INCLUDED (10-32).
- ▶ 1/4" PUSH LOCK CONNECTIONS STANDARD, 5/32 (4MM) PUSH LOCK OPTIONAL.
- ▶ ROUNDED EDGES, NO SHARP EDGES OR CORNERS TO INJURE OPERATOR
- ▶ QUICK AND SIMPLE INSTALLATION, BOLT THE CONTROL DOWN AND PLUG YOUR TUBING INTO THE PUSH LOCK CONNECTIONS.

*THE SERIES REN300 FEATURES TOP PALM BUTTONS, THAT USE OUR LIGHT TOUCH VALVES, THIS ALLOWS THE OPERATOR TO KEEP HIS PALMS FACING DOWN.*

## REN300

**ADD TO  
PART #**

**OPTIONS AVAILABLE ON THE  
REN300.**

**ADD TO  
LIST PRICE**

- EPB EXTRA PUSHBUTTON, A CENTER MOUNTED N/C 3-WAY VALVE WITH BUTTON (GUARDED) ON TOP. SEPARATE OUTPUT MARKED EPB.
- SWV SWITCH VALVE A CENTER MOUNTED TOGGLE DIVERTER VALVE THAT DIVERTS THE 2-HAND OUTPUT BETWEEN 2 OUTPUT PORTS
- 4W 4-WAY VALVE, INTERNAL 1.1 CV 4-WAY VALVE WITH 3 PUSH LOCK FITTINGS-SUPPLY, N/C AND N/O. THIS SUPERSEDES THE T100 OPTION.
- 532 5/32 (4MM) PUSH LOCK FITTINGS.
- C CANCELABLE OUTPUT. AN INPUT FROM A PRESSURE OR LIMIT VALVE WILL CANCEL THE OUTPUT.
- P .4 SECOND PULSED OUTPUT. PALM BUTTONS MUST BE HELD THE FULL TIME.
- PA .1-.30 SECONDS ADJUSTABLE PULSED OUTPUT. THE PALM BUTTONS MUST BE HELD THE FULL TIME.
- G BUTTON GUARDS. GUARDS THAT SURROUND THE BUTTONS AND EXTEND 1/2".

**RENCO, INC.**

6719 ALCOA ROAD, BENTON, ARKANSAS 72015 USA 501/565-0404 FAX 501/565-4796

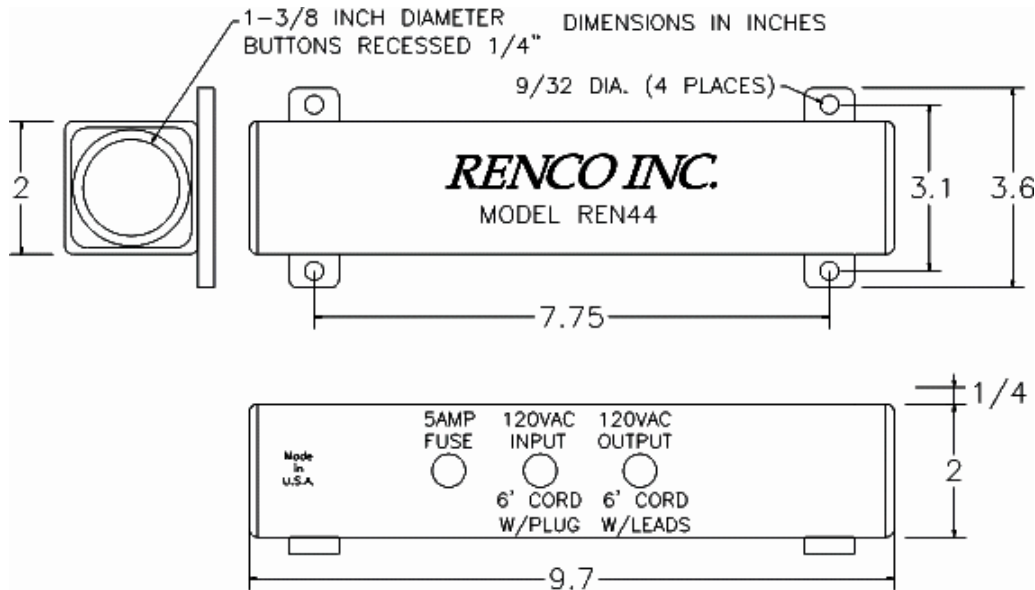
Page 4

WITH PUSH BUTTONS

# SERIES REN44

ELECTRIC TWO-HAND NO-TIE-DOWN  
CONTROL WITH BUTTONS ON ENDS.

GIVES A MAINTAINED OUTPUT SIGNAL WHEN BOTH BUTTONS ARE  
PRESSED WITHIN .3 SECONDS AND HELD.



- ▶ COMPACT DESIGN WITH 1-3/8" DIAMETER PUSH BUTTONS (RECESSED 1/4")
- ▶ LIGHT ACTUATION PRESSURE (5 OUNCES).
- ▶ INPUT (WITH PLUG ON 120V AC) AND OUTPUT CORD INCLUDED.
- ▶ ROUNDED EDGES, NO SHARP EDGES OR CORNERS TO INJURE OPERATOR
- ▶ QUICK AND SIMPLE INSTALLATION, BOLT THE CONTROL DOWN AND PLUG IN.
- ▶ NO OUTPUT IF CONTROL POWERED UP WITH BUTTONS PUSHED.
- ▶ 120V AC INPUT AND OUTPUT. OTHER CONFIGURATIONS OPTIONAL.

## SERIES REN44

## THE SERIES REN44 FEATURES EXTREMELY LIGHT

ADD TO  
PART #

OPTIONS AVAILABLE ON THE  
REN44.

ADD TO  
LIST PRICE

- K CONTACT OUTPUT, SUGGESTED FOR CONNECTING TO PLC's
- C CANCELABLE OUTPUT
- G BUTTON GUARDS 1/2" IN PLACE OF 1/4"
- P .5 SECOND PULSED OUTPUT
- PA .1-30 SECOND PULSED OUTPUT
- EPB EXTRA CENTER RED PUSH BUTTON, MOMENTARY
- EPBMN EXTRA CENTER RED PUSH BUTTON, MAINTAINED
- 24VDCO 120V AC INPUT, 24 VDC OUTPUT
- 24VDCI/O 24 VDC INPUT, 24 VDC OUTPUT
- SEP-X SEPARATE PUSH BUTTONS OR OPERATORS IN ENCLOSURES, CONNECTED BY 5' CORD

### WARNING:

All Renco controls are designed to operate pneumatic valves and cylinders. They are not to be used with flywheel presses, brake presses or similar devices. It is the buyers responsibility to determine the use and mounting location of this device. This equipment performs the function of a two hand no tie down control only. All other prescribed safety devices must be used with this equipment. It is the buyers responsibility to determine the proper application, location and use of this equipment.

**RENCO, INC.**

6719 ALCOA ROAD, BENTON, ARKANSAS 72015 USA 501/565-0404 FAX 501/565-4796

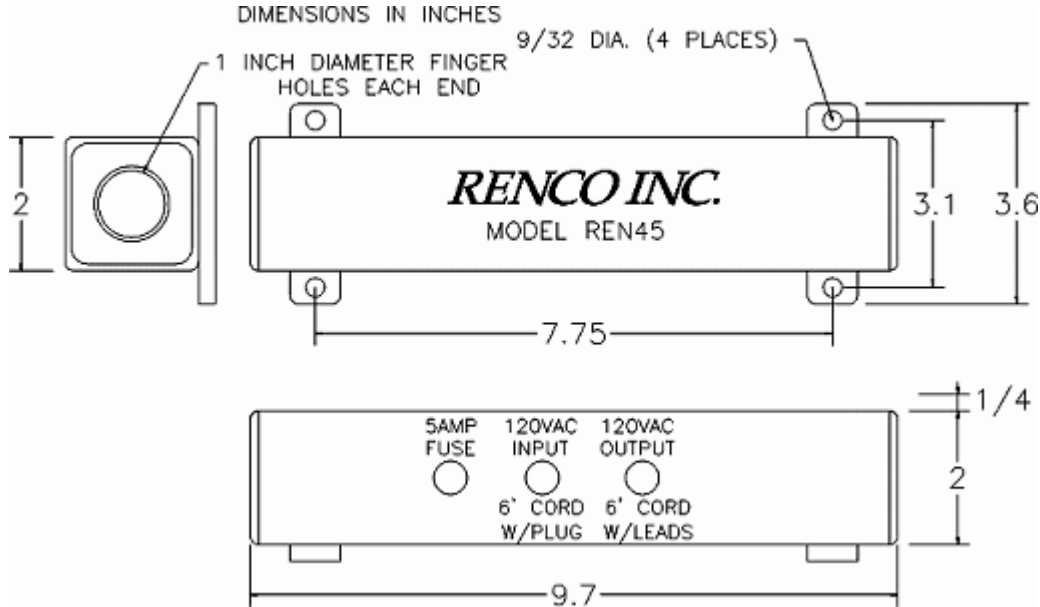
Page 5

WITH PHOTOELECTRIC  
SENSORS

# REN45

ELECTRIC TWO-HAND NO-TIE-DOWN  
CONTROL WITH PHOTO OPTICS ON  
ENDS.

GIVES A MAINTAINED OUTPUT SIGNAL WHEN BOTH LIGHT BEAMS  
ARE BROKEN WITHIN .3 SECONDS AND HELD.



- ▶ INSERT FINGERS TO BREAK LIGHT BEAMS, NO PRESSURE REQUIRED.
- ▶ COMPACT DESIGN WITH 1" DIAMETER FINGER HOLES.
- ▶ INPUT AND OUTPUT CORDS INCLUDED.
- ▶ ROUNDED EDGES, NO SHARP EDGES OR CORNERS TO INJURE OPERATOR.
- ▶ QUICK AND SIMPLE INSTALLATION, BOLT THE CONTROL DOWN AND PLUG IN.
- ▶ NO OUTPUT IF CONTROL POWERED UP WITH BUTTONS PUSHED.
- ▶ 120V AC INPUT AND OUTPUT. OTHER CONFIGURATIONS OPTIONAL.

## REN45

OPTIONS AVAILABLE ON THE  
REN45.

ADD TO  
PART #

ADD TO  
LIST PRICE

- K CONTACT OUTPUT, SUGGESTED FOR CONNECTING TO PLC's
- C CANCELABLE OUTPUT
- P .5 SECOND PULSED OUTPUT
- PA .1-30 SECOND PULSED OUTPUT
- EPB EXTRA CENTER RED PUSH BUTTON, MOMENTARY
- EPBMN EXTRA CENTER RED PUSH BUTTON, MAINTAINED
- 24VDCO 120V AC INPUT, 24 VDC OUTPUT
- 24VDCI/O 24 VDC INPUT, 24 VDC OUTPUT
- SEP-X SEPARATE PUSH BUTTONS OR OPERATORS IN ENCLOSURES, REPLACE X WITH LENGTH OF CORD REQUIRED IN INCHES

### WARNING:

All Renco controls are designed to operate pneumatic valves and cylinders. They are not to be used with flywheel presses, brake presses or similar devices. It is the buyers responsibility to determine the use and mounting location of this device. This equipment performs the function of a two hand no tie down control only. All other prescribed safety devices must be used with this equipment. It is the buyers responsibility to determine the proper application, location and use of this equipment.

**RENCO, INC.**

6719 ALCOA ROAD, BENTON, ARKANSAS 72015 USA 501/565-0404 FAX 501/565-4796

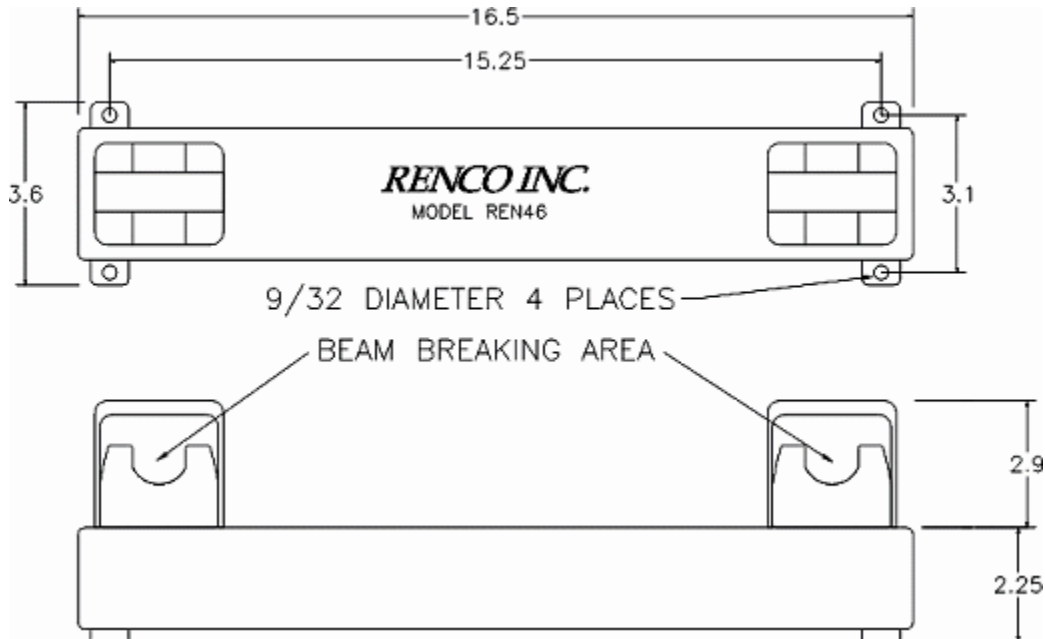
Page 6

WITH TOP MOUNTED  
PHOTOELECTRIC  
SENSORS.

# SERIES REN46

ELECTRIC TWO-HAND NO-TIE-DOWN  
CONTROL WITH PHOTO OPTICS ON TOP

GIVES A MAINTAINED OUTPUT SIGNAL WHEN BOTH LIGHT BEAMS ARE  
BROKEN WITHIN .3 SECONDS AND HELD.



- ▶ INSERT FINGERS TO BREAK LIGHT BEAMS, NO PRESSURE REQUIRED.
- ▶ COMPACT DESIGN WITH GUARDED FINGER SLOTS.
- ▶ INPUT AND OUTPUT CORDS INCLUDED.
- ▶ ROUNDED EDGES, NO SHARP EDGES OR CORNERS TO INJURE OPERATOR.
- ▶ QUICK AND SIMPLE INSTALLATION, BOLT THE CONTROL DOWN AND PLUG IN.
- ▶ NO OUTPUT IF CONTROL POWERED UP WITH BUTTONS PUSHED.
- ▶ 120V AC INPUT AND OUTPUT. OTHER CONFIGURATIONS OPTIONAL.

## REN46

ADD TO  
PART #

OPTIONS AVAILABLE ON THE  
REN46.

ADD TO  
LIST PRICE

- K CONTACT OUTPUT, SUGGESTED FOR CONNECTING TO PLC'S
- C CANCELABLE OUTPUT
- P .5 SECOND PULSED OUTPUT
- PA .1-30 SECOND PULSED OUTPUT
- EPB EXTRA CENTER RED PUSHBUTTON, MOMENTARY
- EPBMN EXTRA CENTER RED PUSHBUTTON, MAINTAINED
- 24VDCO 120V AC INPUT, 24 VDC OUTPUT
- 24VDCI/O 24 VDC INPUT, 24 VDC OUTPUT
- SEP-X SEPARATE PUSH BUTTONS OR OPERATORS IN ENCLOSURES, REPLACE X WITH LENGTH OF CORD REQUIRED IN INCHES

### WARNING:

All Renco controls are designed to operate pneumatic valves and cylinders. They are not to be used with flywheel presses, brake presses or similar devices. It is the buyers responsibility to determine the use and mounting location of this device. This equipment performs the function of a two hand no tie down control only. All other prescribed safety devices must be used with this equipment. It is the buyers responsibility to determine the proper application, location and use of this equipment.

**RENCO, INC.**

6719 ALCOA ROAD, BENTON, ARKANSAS 72015 USA 501/565-0404 FAX 501/565-4796

Page 7

# Options

## ***PNEUMATIC OPTIONS***

-BPL Bottom Push Lock connections. The input/output manifold is mounted on the bottom of the control with the push lock fittings installed.

-C Cancelable Output. When the two-hand control is activated a pneumatic signal is given, while the buttons are continued to be held, a signal is sent back to the two-hand control, port -C, and cancels the output signal. The output remains canceled after the cancel signal is removed until the buttons are released and pressed again.

-G Button Guards. Guards that surround the buttons and extend ½” in place of the standard 1/4”.

-P .5 second pulsed output. When the buttons are pressed the output signal is given for .5 seconds and turns off even though the buttons are continued to be held.

-PA An Adjustable timer .1 to 30 seconds adjustable. When the buttons are pressed the output is given for a set time and turns off and vents even though the buttons are continued to be held. If the buttons are released before the time elapses the signal will turn off and vent.

-B Bottom connections. Connections on bottom of manifold.

-EPB Extra push button. A center mounted pushbutton N/C 3-way valve. This shares the pneumatic supply with the logic and has a separate output marked -EPB

-SWV Switch Valve. A toggle type 2 position diverter valve to divert the two-hand signal between two output ports. If the operator sets the diverter valve to the “A” position and presses the two-hand buttons a signal is given out the “A” port. If the operator sets the diverter valve to the “B” position and presses the two-hand buttons a signal is given out the “B” port.

Clamp Circuit See Clamp Circuit page.

## ***ELECTRIC OPTIONS***

-K The black and white wires in the output cord are wired to a contact that is closed when the control is activated. This is recommended for connection to a PLC.

-C Cancelable Output. A two wire cord is added to the control. The two wires are connected to a normally closed switch (not included). When the control is activated and held the output signal is given until the cancel switch is opened. When the cancel switch is opened the output signal is canceled. The output signal remains canceled when the cancel switch is closed. The cancel switch must be closed and the buttons released and reapplied to obtain another output signal.

- G Button Guards. Guards that surround the buttons and extend in place of the standard 1/4”, model REN44 only.

-P .5 second pulsed output. When the buttons are pressed the output is given for .5 seconds and turns off and vents even though the buttons are continued to be held.

-PA An adjustable timer .1 to 30 seconds adjustable. When the buttons are pressed the output signal is given for a set time and turns off even though the buttons are continued to be held. If the buttons are released before the time elapses the signal will turn off.

-EPB Extra push button. A center mounted red momentary pushbutton with 1 N/C contact and 1 N/O contact wired thru a cord marked EPB.

-EPBMN Extra push button. A center mounted red maintained push/pull button with 1 N/C contact and 1 N/O contact wired thru a cord marked EPB.

***RENCO, INC.***

6719 ALCOA ROAD, BENTON, ARKANSAS 72015 USA 501/565-0404 FAX 501/565-4796

Page 8